

**Modular Cooking Range Line
 thermaline 90 - 800 mm Holding
 Cabinet with 2 drawers, GN conform, 1
 Side - H=550**

ITEM # _____

MODEL # _____

NAME # _____

SIS # _____

AIA # _____



589469 (MC0ADAHOBO) Holding cabinet, with 2 drawers, one-side operated, GN

Short Form Specification

Item No. _____

800 mm wide holding cabinet with 2 drawers, constructed according to DIN 18860_2 with 70 mm recessed plinth. Internal frame for heavy duty sturdiness in 2 mm and 3 mm in 1.4301 (AISI 304). 2 mm top in 1.4301 (AISI 304). Flat surface construction, easily c

Main Features

- All major components may be easily accessed from the front.
- THERMODUL connection system creates a seamless work top when units are connected to each other thus avoiding soil penetrating vital components and facilitating the removal of units in case of replacement or service.
- Unit constructed according to DIN 18860_2 with 70 mm recessed plinth.
- Temperature in the cupboard can be set through a thermostat to suit different requirements. The maximum temperature is 120°C.
- Equipped with a core temperature probe, suitable also for low temperature cooking.
- Unit can be installed below modular top appliances, designed to keep the food warm, with the capability to cook as well.

Construction

- IPX5 water resistance certification.
- 2 mm top in 1.4301 (AISI 304).
- Flat surface construction with minimal hidden areas to easily clean all surfaces
- Storage space in the base of the appliance accepts GN1/1 containers.
- Internal frame for heavy duty sturdiness in stainless steel.

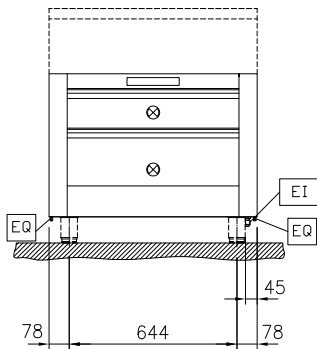
Optional Accessories

- Stainless steel side panel (12mm), 900x800mm, freestanding PNC 912511
- Stainless steel front kicking strip, 800mm width PNC 912598
- Stainless steel side kicking strips left and right, freestanding, 900mm width PNC 912621
- Stainless steel side kicking strips left and right, wall mounted, 900mm width PNC 912624
- Stainless steel side kicking strips left and right, back-to-back, 1800mm width PNC 912627
- Stainless steel plinth, against wall, 800mm width PNC 912901
- Stainless steel plinth, freestanding, 800mm width PNC 912920
- Stainless steel panel (12mm) 900x800mm, against wall, left side PNC 913102
- Stainless steel panel (12mm) 900x800mm, against wall, right side PNC 913106
- Back panel, 800x550mm, for bases and units, one-side operated PNC 913182

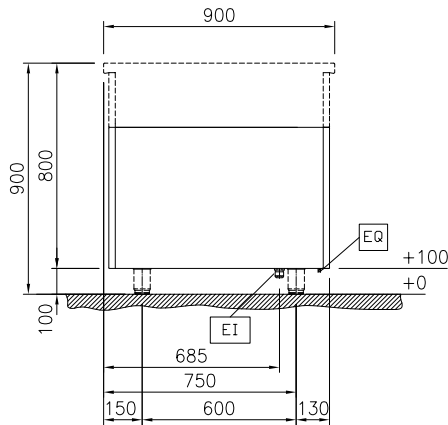
APPROVAL: _____

- Stainless steel side panel, left, H=800, flush PNC 913224
- Stainless steel side panel, left, H=800, flush PNC 913225
- - NOT TRANSLATED - PNC 913259
- - NOT TRANSLATED - PNC 913268
- - NOT TRANSLATED - PNC 913270
- - NOT TRANSLATED - PNC 913277
- - NOT TRANSLATED - PNC 913278
- STAINLESS STEEL DIVIDING PANEL 900X800MM LEFT/RIGHT PNC 913673
- STAINLESS STEEL SIDE COVER PANEL, FLUSH 900X800MM LEFT/RIGHT PNC 913689

Front

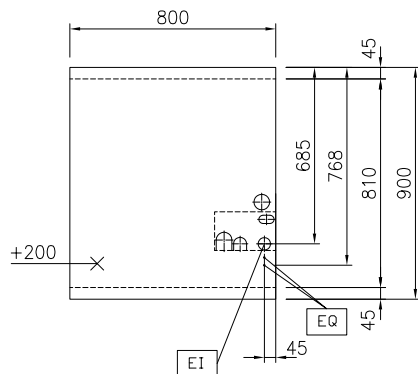


Side



EI = Electrical inlet (power)

Top


Electric

Supply voltage: 230 V/1N ph/50 Hz
 Electrical power max.: 1 kW

Key Information:

External dimensions, Width: 800 mm
 External dimensions, Depth: 900 mm
 External dimensions, Height: 550 mm
 Cupboard Cavity Dimensions (width): 650 mm
 Cupboard Cavity Dimensions (height): 325 mm
 Cupboard Cavity Dimensions (depth): 530 mm
 Cabinet temperature range: 30-120 °C
 Net weight: 44 kg
 Number of drawers: 2

Sustainability

Current consumption: 4.35 Amps